



OQD PROFESSIONAL (OQDp)

Product Ref: OQDp-N-6-1

TANDELTA

Oil Condition Monitoring



Touch Screen Colour Display System.

The robust, industrialised OQD Professional (OQDp) will display live data, oil quality and temperature, from up to four Oil Quality Sensors (OQSx) simultaneously and generate automatic alerts. The OQD Professional (OQDp) also provides graphical presentation of live data such as rate of change over time, at the touch of the screen.

➔ PRODUCT FEATURES

- **Informative**

6" high resolution, tough, touch screen provides clear display of data.

- **Industrial Quality**

Robust, toughened, IP67 suitable for installation in any harsh commercial or industrial environment.

- **Flexible**

Network and display data from up to four OQSx sensors simultaneously using our OQD Professional Hub or via your exiting CANbus/Infrastructure.

- **Intuitive Functionality**

Simple touch screen menu system makes accessing functionality such as rate of change graphs, and alert configuration simple.

- **Fully Certified**

The OQD Professional (OQDp) is fully certified to international standards to work in the majority of commercial and industrial applications.

- **Robust and Rugged**

The rugged IP67 rated enclosure with rubber frame and high quality industrial connectors make this unit very reliable and robust.

- **Independently Tested**

Has undertaken rigorous independent testing.

➔ BENEFITS



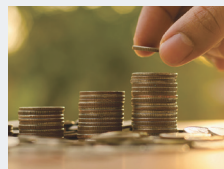
Peace of Mind

Knowing that your critical equipment is being monitored 24 hours a day, 365 days a year.



Reduced Wastage

Avoid unnecessary oil waste by only changing oil which needs to be changed.



Cost Effective

Real time oil monitoring makes perfect sense with an average pay back of less than 6 months.



Improved Safety

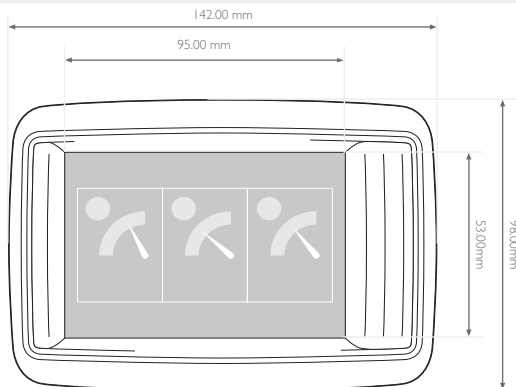
Ensures your equipment is in optimal condition making a safer working environment.



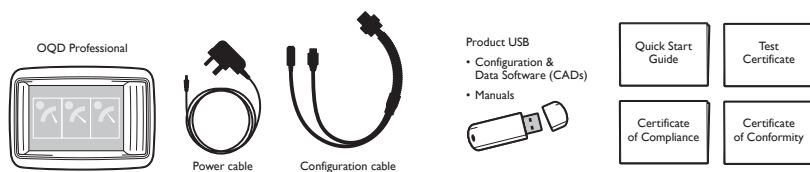
OQD PROFESSIONAL (OQDp)

TANDELTA
Oil Condition Monitoring

➤ DIMENSIONS

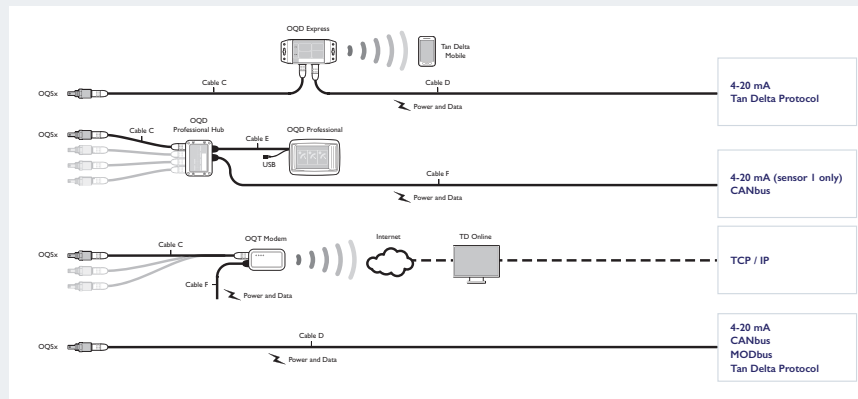


➤ IN THE BOX



⚠ You may require additional cables to complete your installation. Please refer to the Tan Delta Systems Architecture diagram below.

➤ TAN DELTA SYSTEM ARCHITECTURE



➤ SPECIFICATIONS

- Order Information**
Product Name: OQD Professional (OQDp)
Product Code: OQDp-N-6-1
- Physical**
Material: Plastic housing with rubber frame
Dimensions: 142mm x 98mm x 43.2mm (L x W x H)
Weight: 275g
- Electrical**
Power Supply: 9-30V DC
Power Consumption: Average at 13.5V DC: On = 430mA, Low-Power = 160mA, Sleep = 90mA, Off = 0
- Data Output/Input**
 CAN 2.0 B Active
 RS432
- Environmental**
Operating Temperature: -30°C (-22°F) to +65°C (+149°F)
- Display**
 TFT Colour Graphic LCD with LED backlight
Dimensions: 4.3", 95mm x 53mm
Resolution: 480 x 272 px, WQVGA, 15:9
Colours: 65k
- Measuring Range**
Temperature: -20°C (-4°F) to +120°C (+248°F)
Tan Delta Number: 1200 to 0
Rate of Change: Oil Condition/Time
- Standards and Certification**
Water & Dust:
 IP 6k5 according to ISO 20653

Shock & Vibration:
 ISO 16750-3: Road
 ISO 15003: Agricultural Engineering
 Mechanical Shock: Level 2
 Random Vibration: Level 2
 Sinusoidal Vibration: Level 2

EMC:
 EU Directive 2004/108/EC
 (According to EN 12895: Industrial Trucks, EN 13309: Construction machinery and EN ISO 14982: Agricultural and forestry machinery)

EI - Type approval:
 EU Directive ECE R 10.4

About Tan Delta

Tan Delta Systems Limited is a global leader in the development and supply of advanced oil condition monitoring technologies, products and systems.

Its products are trusted by the world's leading industrial and commercial companies to monitor oil condition, helping to optimise equipment productivity, reduce operating costs, thereby remaining competitive in a global economy.

All Tan Delta products are engineered and quality manufactured for long term continuous operation in the harshest commercial and industrial environments. Each product is carefully engineered and tested to withstand the long term effects of extreme shock, vibration, heat, cold, thermal shock, electrical interference and many more factors.

Tan Delta Systems Limited is always looking to exceed customer expectations, so for this reason reserves the right to alter, without notice, the specification, design or conditions of supply of any product or service. Information provided by Tan Delta Systems is believed to be accurate and reliable. However, no responsibility is assumed by Tan Delta Systems for its use, nor any infringements of patents or other rights of third parties, which may result from its use. No license is granted by implication or otherwise under any patent or patent rights of Tan Delta Systems ©Tan Delta Systems Ltd 2015

